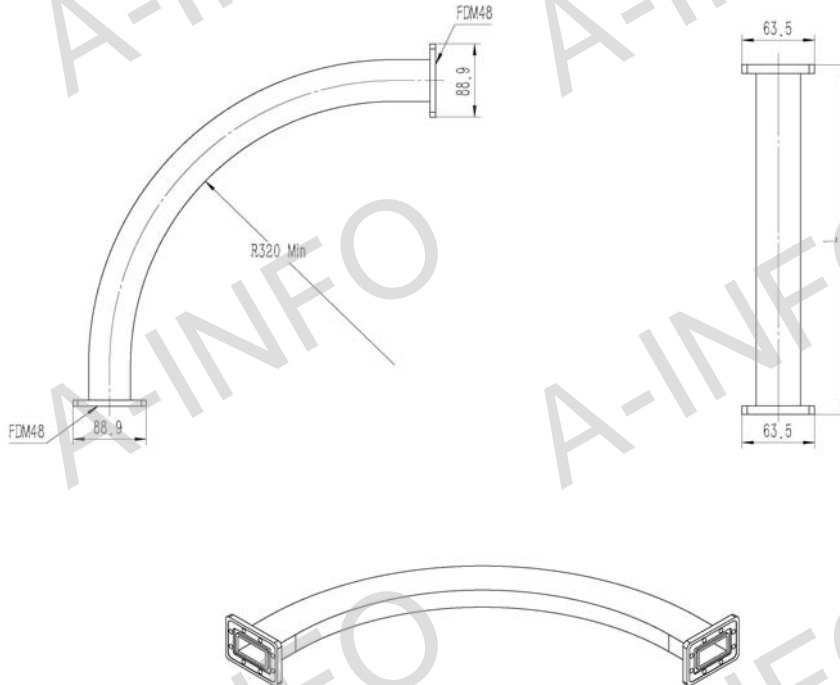


Technical Specification



| EIA WR | WR187 |
|------------------------|-----------------|
| Frequency Range(GHz) | 3.95 – 5.85 |
| Attenuation(dB/m) | 0.24 Max. |
| VSWR | 1.15:1 Max. |
| Average Power(KW) | 6.5 |
| Max. Air Pressure(Mpa) | 0.2 |
| Min. E-Bend Radius(mm) | 160 |
| Min. H-Bend Radius(mm) | 320 |
| Flange | FDM48 |
| Jacket | Silicone Rubber |
| Operating Temp.(°C) | -55 ~ +85 |
| Material | Cu |
| Length(mm) | 450 |
| Net Weight(Kg) | 1.30 Around |

Outline Drawing (Size: mm)



AINFO Inc.

Page 1 of 3

China(Beijing):
China(Chengdu):
USA :

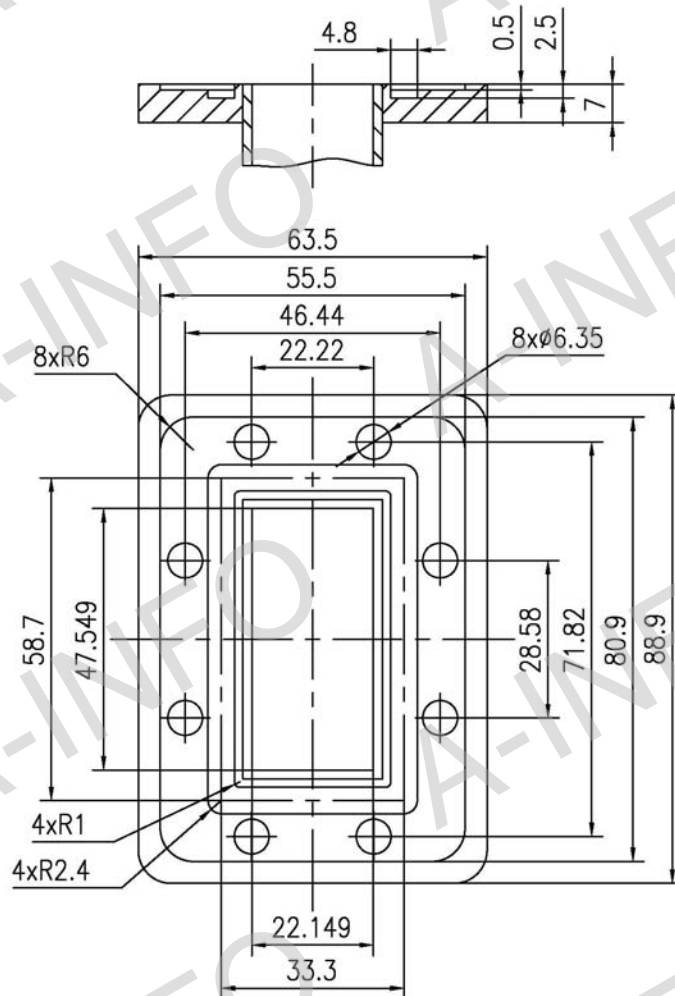
Tel: (+86) 10-6266-7326,
Tel: (+86) 28-8519-2786,
Tel: (+1) 949-639-9688,

(+86) 10-6266-7327
(+86) 28-8519-3044
(+1) 949-639-9608

Fax: (+86) 10-6266-7379
Fax: (+86) 28-8519-3068
Fax: (+1) 949-639-9670

Website: www.ainfoinc.com
Email: sales@ainfoinc.com

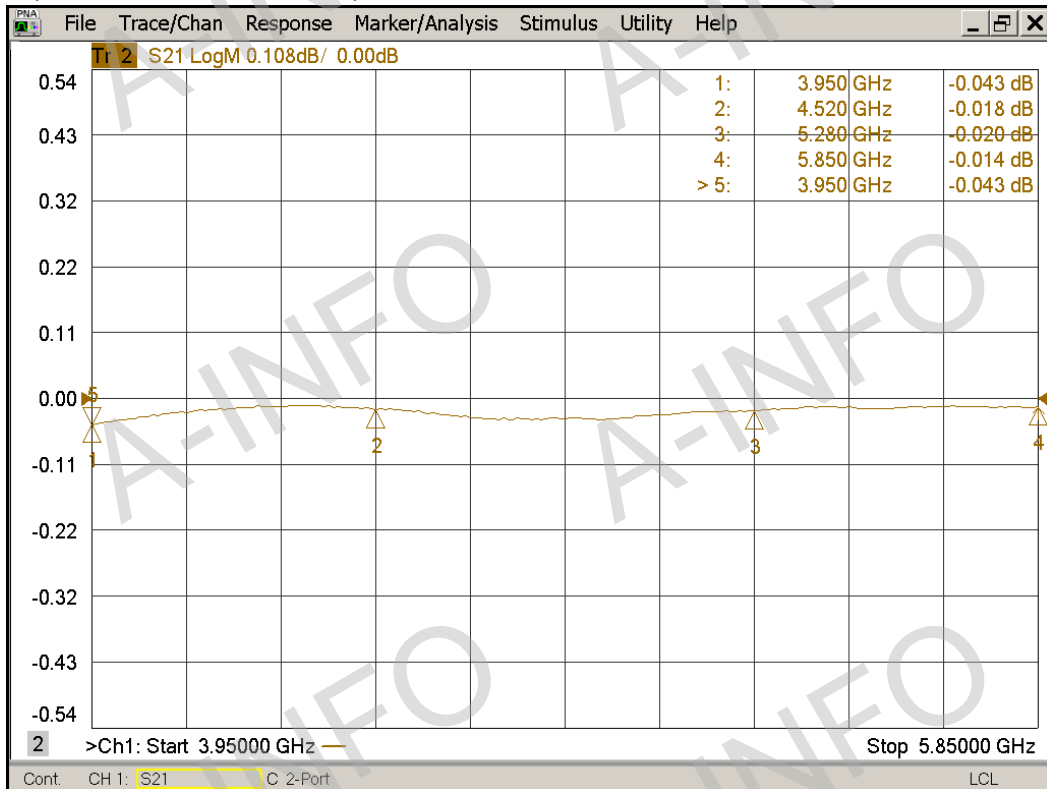
Flange Drawing (Size: mm)



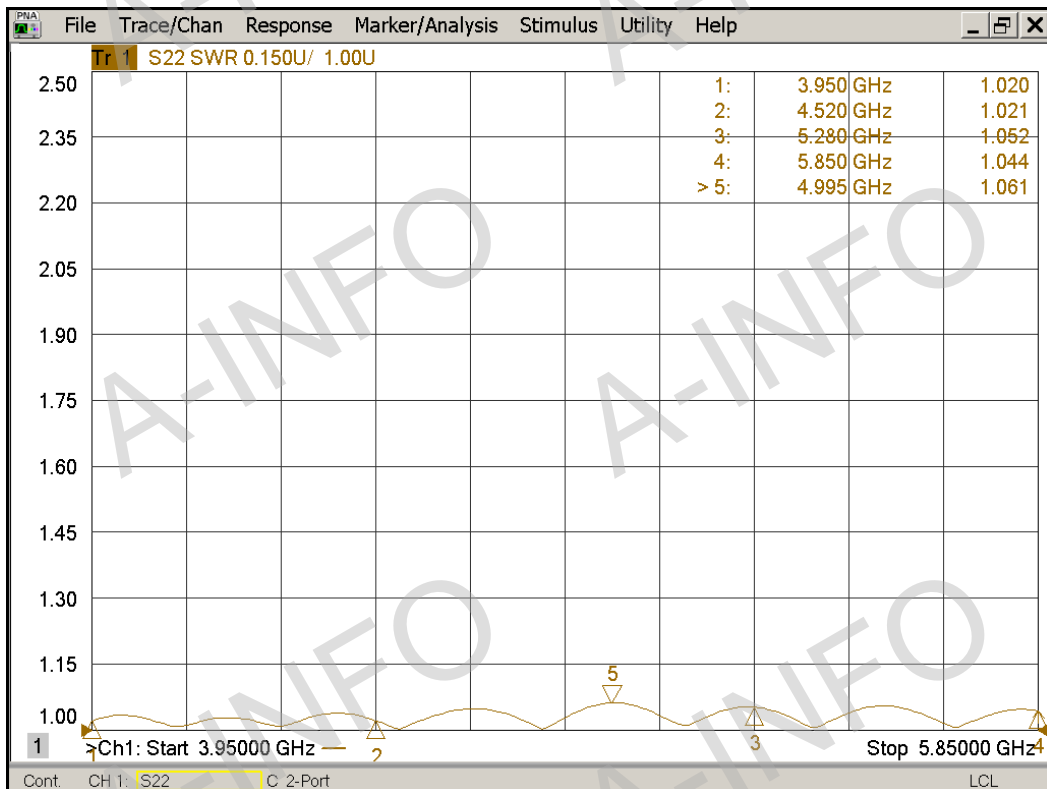
FDM48

Test Results

Attenuation (I.L.: 0.0956dB/m Max.)



VSWR



AINFO Inc.

Page 3 of 3

China(Beijing):
China(Chengdu):
USA:

Tel: (+86) 10-6266-7326,
Tel: (+86) 28-8519-2786,
Tel: (+1) 949-639-9688,

(+86) 10-6266-7327
(+86) 28-8519-3044
(+1) 949-639-9608

Fax: (+86) 10-6266-7379
Fax: (+86) 28-8519-3068
Fax: (+1) 949-639-9670

Website: www.ainfoinc.com
Email: sales@ainfoinc.com